

JIS 10K

# Stainless Steel GATE VALVES



### Features

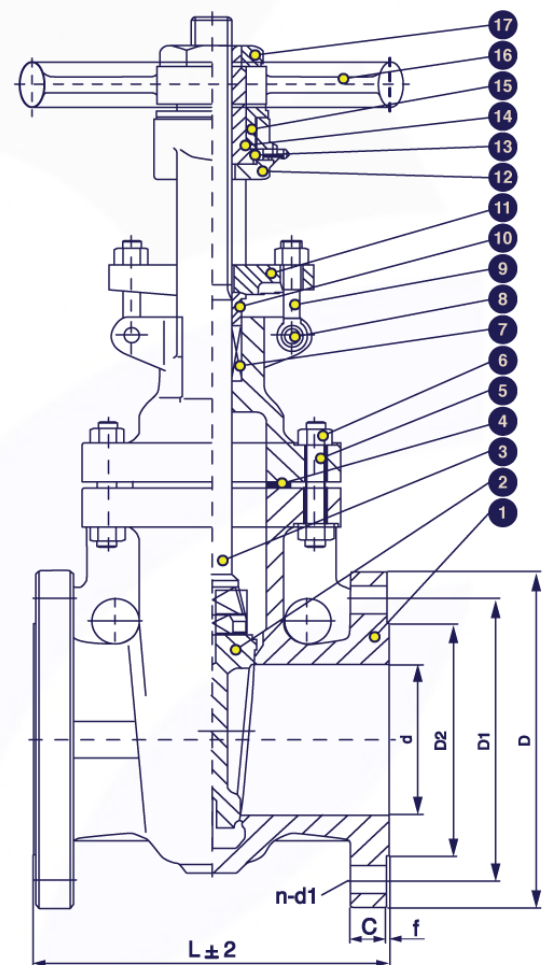
- JIS 10K Flange Connection
- Size: 1" – 4" (DN25 – DN100)
- Valve Body Material: SS316
- Working Pressure: 10kg/cm<sup>2</sup>
- Applicable Medium: General oil, gas and water applications
- Temperature Range: ≤ 425°C



**JIS 10K SS316  
Flange End Gate Valves**

### Material List

No.	Part Name	Material
1	Body	A351 CF8M
2	Wedge	A351 CF8M
3	Stem	SS316
4	Gasket	SS316 + Graphite
5	Bolt	A193 B8M
6	Nut	A194 B8M
7	Packing	Graphite
8	Pin	SS304
9	Eye Bolt	A193 B8M
10	Gland Nut	SS316
11	Gland Flange	A351 CF8M
12	Bonnet	A351 CF8M
13	Nipple	assembly
14	Stem Nut	A439 D2
15	Nut	AISI 1035
16	Handwheel	A216 WCB
17	Lock Nut	AISI 1035



### Technical Specifications

1. Basic design and manufacture according to API 600
2. Face to face dimension: ASME B16.10
3. Flange End: JIS 2238
4. Inspection and test: JIS F7400

Main Technical Parameter			
Normal pressure		10K	
Test pressure	Shell test pressure	3.0	MPa
	Seal test	2.2	
	Back seal test	2.2	
	Gas test	0.6	
Max working temperature		≤ 425°C	
Applicable Medium: General oil, gas & water			

## Ordering Information

VL	-	S	-	GA	-	F	-	10K	-	16
I		II		III		IV		V		VI

<b>I</b>	<b>Type of Item</b>		
VL	Low Pressure Valves		

<b>II</b>	<b>Material Grade</b>		
S	SS316, CF8M	CI	Cast Iron
FS	Forged Steel	CS	Cast Steel
B	Brass		

<b>III</b>	<b>Item</b>		
GA	Gate Valve	B1	1 PC Ball Valve
GL	Globe Valve	B2	2 PC Ball Valve
YS	Y-Strainer	B3	3 PC Ball Valve
SC	Swing Check Valve	BL	3 Way Ball Valve L Port
VC	Vertical Check Valve	BT	3 Way Ball Valve T Port
WC	Wafer Check Valve	BMF	Male x Female Mini Ball Valve
DD	Dual Disk	BU	Butterfly Valve

<b>IV</b>	<b>Connection Type</b>		
SW	S/W	G	BSPP
BW	B/W	N	NPT
R	BSPT	F	Flange End
W	Wafer	L	Lug

<b>V</b>	<b>Pressure</b>		
200	200 PSI	2000	2000 PSI
300	300 PSI	150	ANSI 150# Flange Standard
600	600 PSI	10K	JIS 10K Flange Standard
800	800 PSI	PN16	PN 16 Flange Standard
1000	1000 PSI		

## For Inch OD & Inch NB Sizes

<b>VI</b>	<b>Size</b>							
Size	1/8"	1/4"	5/16"	3/8"	1/2"	5/8"	3/4"	1"
Code	02	04	05	06	08	10	12	16
Size	1 1/4"	1 1/2"	2"	2 1/2"	3"	4"	5"	6"
Code	20	24	32	40	48	64	80	96

<b>VII</b>	<b>Coating</b>		
(None)	No Additional Coating		
NI	Nickel Plating		

### Dimension List

NPS	Part No	D	D1	D2	L	C	f	n-d1	Weight (Kg)
1"	VL-S-GA-F-10K-16	125	90	67	127	14	1	4-Ø16	5.50
1 1/4"	VL-S-GA-F-10K-20	135	100	76	140	16	2	4-Ø16	8.75
1 1/2"	VL-S-GA-F-10K-24	140	107	81	165	16	2	4-Ø16	9.57
2"	VL-S-GA-F-10K-32	150	121	92	178	16.5	2	4-Ø19	13.40
2-1/2"	VL-S-GA-F-10K-40	180	140	105	190	18	2	4-Ø19	17.25
3"	VL-S-GA-F-10K-48	190	152.5	127	203	19.5	2	4-Ø19	20.50
4"	VL-S-GA-F-10K-64	230	190.5	157	229	24.5	2	8-Ø19	31.50

### Part Number Reference

Part No	Description
VL-S-GA-F-10K-16	1"JIS10K SS316 FLANGE END GATE VALVE RF, RISING STEM, HANDWHEEL OPERATED
VL-S-GA-F-10K-20	1 1/4"JIS10K SS316 FLANGE END GATE VALVE RF, RISING STEM, HANDWHEEL OPERATED
VL-S-GA-F-10K-24	1 1/2"JIS10K SS316 FLANGE END GATE VALVE RF, RISING STEM, HANDWHEEL OPERATED
VL-S-GA-F-10K-32	2"JIS10K SS316 FLANGE END GATE VALVE, RISING STEM, HANDWHEEL OPERATED
VL-S-GA-F-10K-40	2 1/2" JIS10K SS316 FLANGE END GATE VALVE, RISING STEM, HANDWHEEL OPERATED
VL-S-GA-F-10K-48	3"JIS10K SS316 FLANGE END GATE VALVE, RISING STEM, HANDWHEEL OPERATED
VL-S-GA-F-10K-64	4"JIS10K SS316 FLANGE END GATE VALVE, RISING STEM, HANDWHEEL OPERATED



## AF HYDRO

### Conditions of Use of Catalogue:

The information in the catalogue are not binding and in order to improve distribution, AF Hydro reserves the right to make any change including size and pressure ratings considered necessary at any time and without prior notice. According to the copyright and the civil law, any reproduction (also partial) of figures and texts of this catalogue by means of electronic, mechanical, photocopies, microfilms, recordings or other is forbidden without AF Hydro's authorization.