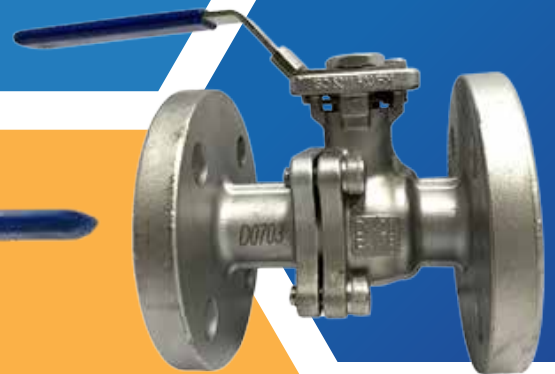




**RFS HYDRAULICS**  
CREATING OPPORTUNITIES



# FLANGE END BALL VALVES

## PN10/16 SS316 Flange End Ball Valve

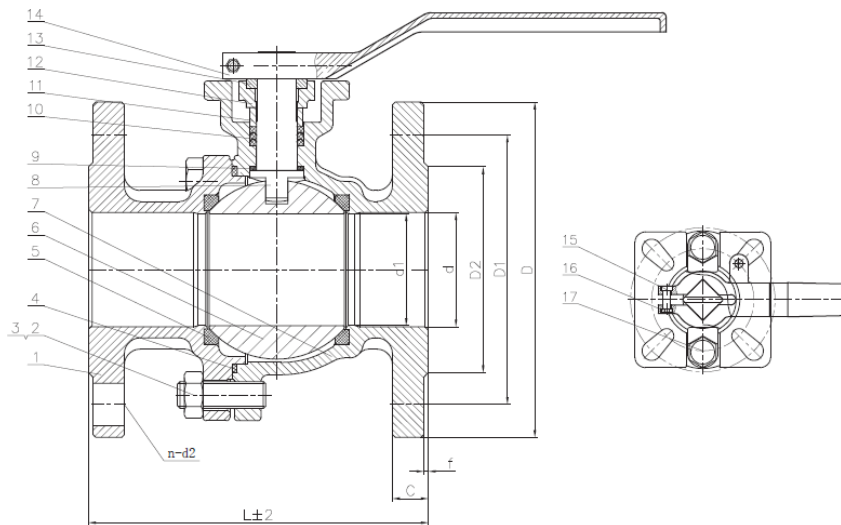




**PN10/16 Stainless Steel 2 Piece Flange Ball Valves**

**Features**

- Full Bore
- PN10/16 Flange Connection
- Sizes: 3/4" - 6" (DN20 – DN150)
- Working Pressure: 16 Bar
- Valve Body Material: Stainless Steel SS316
- Fire-safe Design According to API 607
- Applicable Medium: General Oil, Gas & Water Applications
- Blow-out Proof Stem Design
- Temperature: -29 Deg C to 150 Deg C



**Technical Specifications**

1. Basic design and manufacture according to EN 1983
2. Face-to-face dimensions complies with EN 558 & S15
3. Flange ends complied with EN 1092-1
4. Inspection and tested according to EN 12266-1

Main Technical Parameter			
Normal pressure		1.6	MPa
Test pressure	Shell test pressure	2.4	
	Gas test	0.6	
Max working temperature		-29 to 150	°C
Applicable medium: General oil, gas & water			

**Material List**

No.	Part Name	Material	No.	Part Name	Material
1	Cap	CF8M/ SS316	10	Packing	PTFE
2	Bolt	SS316	11	Gland	SS316
3	Nut	SS316	12	Flange Gland	CF8M/ SS316
4	Gasket	PTFE	13	Orientation Patch	SS201
5	Seat	PTFE	14	Handle	SS201
6	Ball	SS316	15	Bolt	SS304
7	Body	CF8M/ SS316	16	Nut	SS304
8	Stem	SS316	17	Bolt	SS304
9	Thrust Washer	PTFE			



**Ordering Information**

VL - S - B2 - F - PN16 - 08  
I II III IV V VI

**I Type of Item**

VL Low Pressure Valves

**II Material Grade**

S	SS316, CF8M	CI	Cast Iron
FS	Forged Steel	CS	Cast Steel
B	Brass		

**III Item**

GA	Gate Valve	B1	1 PC Ball Valve
GL	Globe Valve	B2	2 PC Ball Valve
YS	Y-Strainer	B3	3 PC Ball Valve
SC	Swing Check Valve	BL	3 Way Ball Valve L Port
VC	Vertical Check Valve	BT	3 Way Ball Valve T Port
WC	Wafer Check Valve	BMF	Male x Female Mini Ball Valve
DD	Dual Disk	BU	Butterfly Valve

**IV Connection Type**

SW	S/W	G	BSPP
BW	B/W	N	NPT
R	BSPT	F	Flange End
W	Wafer	L	Lug

**V Pressure**

200	200 PSI	2000	2000 PSI
300	300 PSI	150	ANSI 150# Flange Standard
600	600 PSI	10K	JIS 10K Flange Standard
800	800 PSI	PN16	PN 16 Flange Standard
1000	1000 PSI		

**For Inch OD & Inch NB Sizes**

**VI Size**

Size	1/8"	1/4"	5/16"	3/8"	1/2"	5/8"	3/4"	1"
Code	02	04	05	06	08	10	12	16
Size	1 1/4"	1 1/2"	2"	2 1/2"	3"	4"	5"	6"
Code	20	24	32	40	48	64	80	96

**VII Coating**

(None) No Additional Coating  
NI Nickel Plating



**Dimension List**

NPS	Connection	Impa Code	Part No	d	d1	D	D1	D2	L	C	n - d2	f	Weight (Kg)
3/4"	Flange End	-	VL-S-B2-F-PN16-12	20	19	105	75	58	120	18	4-Ø14	2	3.19
1"	Flange End	-	VL-S-B2-F-PN16-16	25	24	115	85	68	125	18	4-Ø14	2	3.30
1 1/4"	Flange End	-	VL-S-B2-F-PN16-20	32	31	140	100	78	130	18	4-Ø18	2	5.70
1 1/2"	Flange End	-	VL-S-B2-F-PN16-24	40	39	150	110	88	140	18	4-Ø18	2	7.33
2"	Flange End	-	VL-S-B2-F-PN16-32	50	49	165	125	102	150	18	4-Ø18	2	9.28
2 1/2"	Flange End	-	VL-S-B2-F-PN16-40	65	64	185	145	122	170	18	4-Ø18	2	13.77
3"	Flange End	-	VL-S-B2-F-PN16-48	80	79	200	160	138	180	20	8-Ø18	2	17.75
4"	Flange End	-	VL-S-B2-F-PN16-64	100	99	220	180	158	190	20	8-Ø18	2	23.55
5"	Flange End	-	VL-S-B2-F-PN16-80	125	125	250	210	188	325	22	8-Ø18	2	43.10
6"	Flange End	-	VL-S-B2-F-PN16-96	150	150	285	240	212	350	22	8-Ø22	2	59.0

**Part Number Reference**

Impa Code	Part No	Description
-	VL-S-B2-F-PN16-12	3/4" PN10/16 SS316 FLANGE END BALL VALVE WITH ISO MOUNTING PAD, FIRE SAFE DESIGN
-	VL-S-B2-F-PN16-16	1" PN10/16 SS316 FLANGE END BALL VALVE WITH ISO MOUNTING PAD, FIRE SAFE DESIGN
-	VL-S-B2-F-PN16-20	1 1/4" PN10/16 SS316 FLANGE END BALL VALVE WITH ISO MOUNTING PAD, FIRE SAFE DESIGN
-	VL-S-B2-F-PN16-24	1 1/2" PN10/16 SS316 FLANGE END BALL VALVE WITH ISO MOUNTING PAD, FIRE SAFE DESIGN
-	VL-S-B2-F-PN16-32	2" PN10/16 SS316 FLANGE END BALL VALVE WITH ISO MOUNTING PAD, FIRE SAFE DESIGN
-	VL-S-B2-F-PN16-40	2 1/2" PN10/16 SS316 FLANGE END BALL VALVE WITH ISO MOUNTING PAD, FIRE SAFE DESIGN
-	VL-S-B2-F-PN16-48	3" PN10/16 SS316 FLANGE END BALL VALVE WITH ISO MOUNTING PAD, FIRE SAFE DESIGN
-	VL-S-B2-F-PN16-64	4" PN10/16 SS316 FLANGE END BALL VALVE WITH ISO MOUNTING PAD, FIRE SAFE DESIGN
-	VL-S-B2-F-PN16-80	5" PN10/16 SS316 FLANGE END BALL VALVE WITH ISO MOUNTING PAD, FIRE SAFE DESIGN
-	VL-S-B2-F-PN16-96	6" PN10/16 SS316 FLANGE END BALL VALVE WITH ISO MOUNTING PAD, FIRE SAFE DESIGN

## RFS Hydraulics Sdn Bhd

Address : Menara UOA Bangsar, A-25-02, No. 5, Jalan Bangsar Utama 1,  
59000 Kuala Lumpur, Malaysia

Telephone Number : +603 2201 9059

Email Address : [info@rfshydraulics.com](mailto:info@rfshydraulics.com)

Website : [www.rfshydraulics.com](http://www.rfshydraulics.com)

Business Registration Number : 1312576-W

Country of Registration : Malaysia

### Conditions of Use of Catalogue:

The information in the catalogue are not binding and in order to improve distribution, RFS Hydraulics Sdn Bhd reserves the right to make any change including size and pressure ratings considered necessary at any time and without prior notice. According to the copyright and the civil law, any reproduction (also partial) of figures and texts of this catalogue by means of electronic, mechanical, photocopies, microfilms, recordings or other is forbidden without RFS Hydraulics Sdn Bhd's authorization.

Catalogue Version: 2020

