

**THREADED END BRASS STANDARD BALL VALVE 300 PSI**

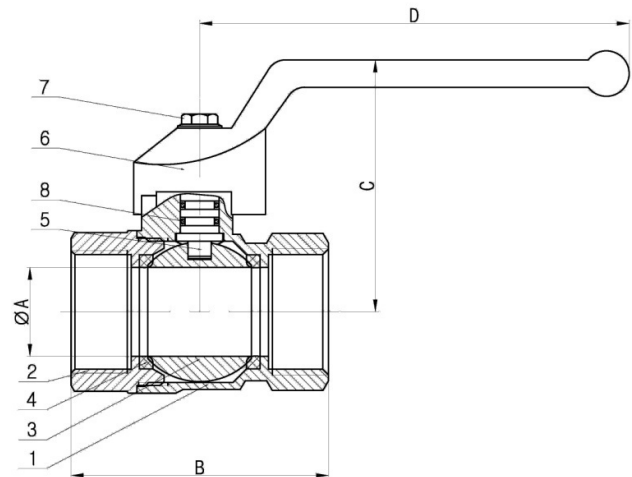
**Feature:**

- Types available: Nickel plated & No Nickel plated
- Full bore, Quarter turn operation
- Size: 1/4" – 4" (DN8-100)
- Working Pressure: 300 PSI
- Threaded End: BSPP, NPT
- Applicable Medium: General oil, Gas & Water applications
- Blow-out Proof Stem Design
- Temperature Range: -29°C to 150°C



**Material List:**

No.	Part Name	Material
1	Body	Brass
2	Bonnet	Brass
3	Ball	Hard Chromed Brass
4	Seat	PTFE
5	Stem	Brass
6	Handle	Aluminium
7	Nut	Steel
8	O-Ring	NBR





**Ordering Information**

VL - S - B2 - G - 1000 - 08  
I II III IV V VI

**I Type of Item**

VL Low Pressure Valves

**II Material Grade**

S SS316, CF8M CI Cast Iron  
FS Forged Steel CS Cast Steel  
B Brass

**III Item**

GA Gate Valve B1 1 PC Ball Valve  
GL Globe Valve B2 2 PC Ball Valve  
YS Y-Strainer B3 3 PC Ball Valve  
SC Swing Check Valve BL 3 Way Ball Valve L Port  
VC Vertical Check Valve BT 3 Way Ball Valve T Port  
WC Wafer Check Valve BMF Male x Female Mini Ball Valve  
DD Dual Disk BU Butterfly Valve

**IV Connection Type**

SW S/W G BSPP  
BW B/W N NPT  
R BSPT F Flanged End  
W Wafer L Lug

**V Pressure**

200 200 PSI 1000 1000 PSI  
300 300 PSI 150 ANSI 150# Flange Standard  
600 600 PSI 10K JIS 10K Flange Standard  
800 800 PSI PN16 PN16 Flange Standard

For Inch OD & Inch NB Sizes

**VI Size**

Size	1/8"	1/4"	5/16"	3/8"	1/2"	5/8"	3/4"	1"
Code	02	04	05	06	08	10	12	16
Size	1 1/4"	1 1/2"	2"	2 1/2"	3"	4"	5"	6"
Code	20	24	32	40	48	64	80	96

**VII Coating**

(none) No additional Coating  
NI Nickel Plating



**Dimension List for brass standard ball valve (With nickel plating):**

NPS	Connection	Impa Code	Part No	A	B	C	D	Weight (kg)
1/4"	BSPP	-	VL-B-B2-G-300-04-NI	8	39	40.0	86	0.08
3/8"	BSPP	75 24 01	VL-B-B2-G-300-06-NI	10	42	41.5	86	0.10
1/2"	BSPP	75 24 02	VL-B-B2-G-300-08-NI	14	46.4	45.5	86	0.11
3/4"	BSPP	75 24 03	VL-B-B2-G-300-12-NI	18	51	48.0	86	0.15
1"	BSPP	75 24 04	VL-B-B2-G-300-16-NI	24	64.5	60.5	95	0.35
1 1/4"	BSPP	75 24 05	VL-B-B2-G-300-20-NI	31	76	73.5	115	0.65
1 1/2"	BSPP	75 24 06	VL-B-B2-G-300-24-NI	39	85	78.5	115	0.83
2"	BSPP	75 24 07	VL-B-B2-G-300-32-NI	46	93	101.5	147	1.18
2 1/2"	BSPP	-	VL-B-B2-G-300-40-NI	58	119	113.0	185	2.12
3"	BSPP	-	VL-B-B2-G-300-48-NI	69	133	128.0	227	3.25
4"	BSPP	-	VL-B-B2-G-300-64-NI	85	167	138.0	227	5.52
1/4"	NPT	-	VL-B-B2-N-300-04-NI	8	39	40.0	86	0.08
3/8"	NPT	-	VL-B-B2-N-300-06-NI	10	42	41.5	86	0.10
1/2"	NPT	-	VL-B-B2-N-300-08-NI	14	46.4	45.5	86	0.11
3/4"	NPT	-	VL-B-B2-N-300-12-NI	18	51	48.0	86	0.15
1"	NPT	-	VL-B-B2-N-300-16-NI	24	64.5	60.5	95	0.35
1 1/4"	NPT	-	VL-B-B2-N-300-20-NI	31	76	73.5	115	0.65
1 1/2"	NPT	-	VL-B-B2-N-300-24-NI	39	85	78.5	115	0.83
2"	NPT	-	VL-B-B2-N-300-32-NI	46	93	101.5	147	1.18
2 1/2"	NPT	-	VL-B-B2-N-300-40-NI	58	119	113.0	185	2.12
3"	NPT	-	VL-B-B2-N-300-48-NI	69	133	128.0	227	3.25
4"	NPT	-	VL-B-B2-N-300-64-NI	85	167	138.0	227	5.52

**Dimension List for brass standard ball valve (Without nickel plating):**

NPS	Connection	Impa Code	Part No	A	B	C	D	Weight (kg)
1/4"	NPT	-	VL-B-B2-N-300-04	8	39	40.0	86	0.08
3/8"	NPT	-	VL-B-B2-N-300-06	10	42	41.5	86	0.10
1/2"	NPT	-	VL-B-B2-N-300-08	14	46.4	45.5	86	0.11
3/4"	NPT	-	VL-B-B2-N-300-12	18	51	48.0	86	0.15
1"	NPT	-	VL-B-B2-N-300-16	24	64.5	60.5	95	0.35
1 1/4"	NPT	-	VL-B-B2-N-300-20	31	76	73.5	115	0.65
1 1/2"	NPT	-	VL-B-B2-N-300-24	39	85	78.5	115	0.83
2"	NPT	-	VL-B-B2-N-300-32	46	93	101.5	147	1.18
2 1/2"	NPT	-	VL-B-B2-N-300-40	58	119	113.0	185	2.12
3"	NPT	-	VL-B-B2-N-300-48	69	133	128.0	227	3.25
4"	NPT	-	VL-B-B2-N-300-64	85	167	138.0	227	5.52



**Part Number Reference:**

Impa Code	Part No	Description
-	VL-B-B2-G-300-04-NI	1/4"BSPP BRASS BALL VALVE (300 PSI) NICKEL PLATED
75 24 01	VL-B-B2-G-300-06-NI	3/8"BSPP BRASS BALL VALVE (300 PSI) NICKEL PLATED
75 24 02	VL-B-B2-G-300-08-NI	1/2"BSPP BRASS BALL VALVE (300 PSI) NICKEL PLATED
75 24 03	VL-B-B2-G-300-12-NI	3/4"BSPP BRASS BALL VALVE (300 PSI) NICKEL PLATED
75 24 04	VL-B-B2-G-300-16-NI	1"BSPP BRASS BALL VALVE (300 PSI) NICKEL PLATED
75 24 05	VL-B-B2-G-300-20-NI	1 1/4"BSPP BRASS BALL VALVE (300 PSI) NICKEL PLATED
75 24 06	VL-B-B2-G-300-24-NI	1 1/2"BSPP BRASS BALL VALVE (300 PSI) NICKEL PLATED
75 24 07	VL-B-B2-G-300-32-NI	2"BSPP BRASS BALL VALVE (300 PSI) NICKEL PLATED
-	VL-B-B2-G-300-40-NI	2 1/2"BSPP BRASS BALL VALVE (300 PSI) NICKEL PLATED
-	VL-B-B2-G-300-48-NI	3"BSPP BRASS BALL VALVE (300 PSI) NICKEL PLATED
-	VL-B-B2-G-300-64-NI	4"BSPP BRASS BALL VALVE (300 PSI) NICKEL PLATED
-	VL-B-B2-N-300-04-NI	1/4"NPT BRASS BALL VALVE (300 PSI) NICKEL PLATED
-	VL-B-B2-N-300-06-NI	3/8"NPT BRASS BALL VALVE (300 PSI) NICKEL PLATED
-	VL-B-B2-N-300-08-NI	1/2"NPT BRASS BALL VALVE (300 PSI) NICKEL PLATED
-	VL-B-B2-N-300-12-NI	3/4"NPT BRASS BALL VALVE (300 PSI) NICKEL PLATED
-	VL-B-B2-N-300-16-NI	1"NPT BRASS BALL VALVE (300 PSI) NICKEL PLATED
-	VL-B-B2-N-300-20-NI	1 1/4"NPT BRASS BALL VALVE (300 PSI) NICKEL PLATED
-	VL-B-B2-N-300-24-NI	1 1/2"NPT BRASS BALL VALVE (300 PSI) NICKEL PLATED
-	VL-B-B2-N-300-32-NI	2"NPT BRASS BALL VALVE (300 PSI) NICKEL PLATED
-	VL-B-B2-N-300-40-NI	2 1/2"NPT BRASS BALL VALVE (300 PSI) NICKEL PLATED
-	VL-B-B2-N-300-48-NI	3"NPT BRASS BALL VALVE (300 PSI) NICKEL PLATED
-	VL-B-B2-N-300-64-NI	4"NPT BRASS BALL VALVE (300 PSI) NICKEL PLATED
-	VL-B-B2-N-300-04	1/4"NPT BRASS BALL VALVE (300 PSI), NO NICKEL PLATING
-	VL-B-B2-N-300-06	3/8"NPT BRASS BALL VALVE (300 PSI), NO NICKEL PLATING
-	VL-B-B2-N-300-08	1/2"NPT BRASS BALL VALVE (300 PSI), NO NICKEL PLATING
-	VL-B-B2-N-300-12	3/4"NPT BRASS BALL VALVE (300 PSI), NO NICKEL PLATING
-	VL-B-B2-N-300-16	1"NPT BRASS BALL VALVE (300 PSI), NO NICKEL PLATING
-	VL-B-B2-N-300-20	1 1/4"NPT BRASS BALL VALVE (300 PSI), NO NICKEL PLATING
-	VL-B-B2-N-300-24	1 1/2"NPT BRASS BALL VALVE (300 PSI), NO NICKEL PLATING
-	VL-B-B2-N-300-32	2"NPT BRASS BALL VALVE (300 PSI), NO NICKEL PLATING
-	VL-B-B2-N-300-40	2 1/2"NPT BRASS BALL VALVE (300 PSI), NO NICKEL PLATING
-	VL-B-B2-N-300-48	3"NPT BRASS BALL VALVE (300 PSI), NO NICKEL PLATING
-	VL-B-B2-N-300-64	4"NPT BRASS BALL VALVE (300 PSI), NO NICKEL PLATING



## **RFS Hydraulics Sdn Bhd**

**Address:** Menara UOA Bangsar, A-25-02, No. 5, Jln Bangsar Utama 1, 59000 Kuala Lumpur, Malaysia

**Telephone Number:** +603 2201 9059

**Email Address:** [info@rfs hydraulics.com](mailto:info@rfs hydraulics.com)

**Website:** [www.rfs hydraulics.com](http://www.rfs hydraulics.com)

**Business Registration Number:** 1312576-W

**Country of Registration:** Malaysia

### **Conditions of Use of Catalogue:**

The information in the catalogue are not binding and in order to improve distribution, Chuan Kok Hardware & Machinery Pte Ltd reserves the right to make any change including size and pressure ratings considered necessary at any time and without prior notice.

According to the copyright and the civil law, any reproduction (also partial) of figures and texts of this catalogue by means of electronic, mechanical, photocopies, microfilms, recordings or other is forbidden without Chuan Kok Hardware & Machinery Pte Ltd's authorization.

Catalogue Version: 2005