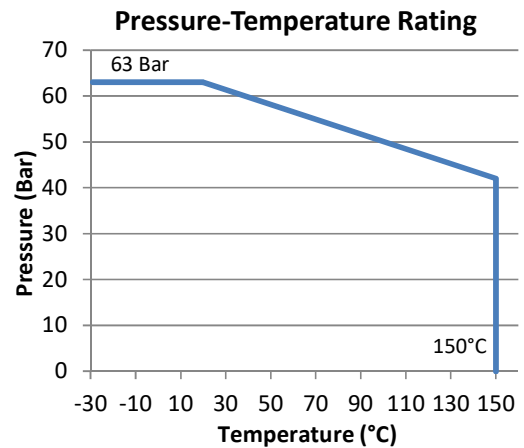
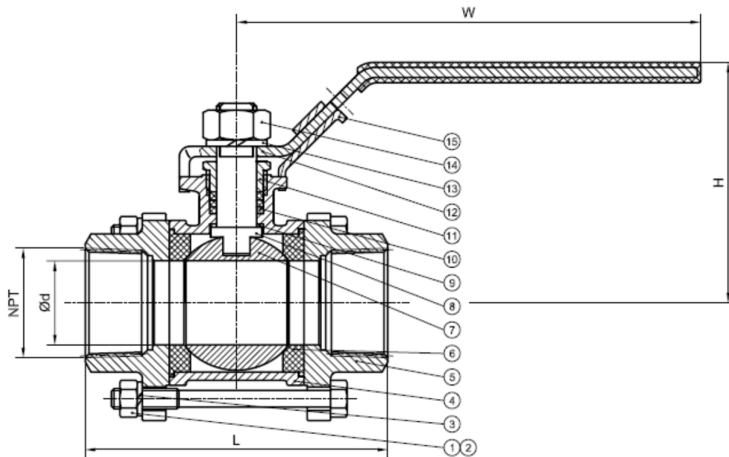


3 Piece Ball Valves

Features

- 2 PC Body Design
- Full Bore, Quarter Turn Operation
- Sizes: 1/4" – 4" (DN8 – DN100)
- Working Pressure: 1000 WOG
- Threaded End: BSPP, NPT or Socket Welding End
- Applicable Medium: General Oil, Gas & Water Applications
- Blow-out Proof Stem Design
- Temperature: -20 Deg C to 120 Deg C



Material List

No.	Part Name	Material	No.	Part Name	Material
1	Bolt	A193 B8	9	Thrust Washer	PTFE
2	Bolt Nut	A194 8	10	Stem Packing	PTFE
3	Bolt Washer	65Mn	11	Gland	AISI 304
4	Body	CF8M	12	Handle	AISI 201
5	Body Connector	CF8M	13	Wrench Washer	AISI 304
6	Seat Ring	PTFE	14	Handle Nut	AISI 304
7	Ball	CF8M	15	Locking Device	AISI 304
8	Stem	AISI 316			



Ordering Information

VL - S - B3 - G - 1000 - 08
I II III IV V VI

I Type of Item
VL Low Pressure Valves

II Material Grade
S SS316, CF8M
FS Forged Steel
B Brass
CI Cast Iron
CS Cast Steel

III Item
GA Gate Valve B1 1 PC Ball Valve
GL Globe Valve B2 2 PC Ball Valve
YS Y-Strainer B3 3 PC Ball Valve
SC Swing Check Valve BL 3 Way Valve L Port
VC Vertical Check Valve BT 3 Way Ball Valve T Port
WC Wafer Check Valve BMF Male x Female Mini Ball Valve
DD Dual Disk BU Butterfly Valve

IV Connection Type
SW S/W G BSPP
BW B/W N NPT
R BSPT F Flange End
W Wafer L Lug

V Pressure
200 200 PSI 1000 1000 PSI
300 300 PSI 150 ANSI 150# Flange Standard
600 600 PSI 10K JIS 10K Flange Standard
800 800 PSI PN16 PN 16 Flange Standard

For Inch OD & Inch NB Sizes

VI Size	1/8"	1/4"	5/16"	3/8"	1/2"	5/8"	3/4"	1"
Code	02	04	05	06	08	10	12	16
Size	1 1/4"	1 1/2"	2"	2 1/2"	3"	4"	5"	6"
Code	20	24	32	40	48	64	80	96

VII Coating
(none) No Additional Coating
NI Nickel Plating



Dimension List

NPS	Connection	Impa Code	Part No	d	L	H	W	Weight (kg)
1/4"	BSPP	-	VL-S-B3-G-1000-04	10	66	45	100	0.30
3/8"	BSPP	-	VL-S-B3-G-1000-06	12	66	45	100	0.30
1/2"	BSPP	-	VL-S-B3-G-1000-08	15	73	53	104	0.51
3/4"	BSPP	-	VL-S-B3-G-1000-12	20	79.5	58	118	0.73
1"	BSPP	-	VL-S-B3-G-1000-16	25	86.5	68	145	0.91
1 1/4"	BSPP	-	VL-S-B3-G-1000-20	32	108	81	162	1.56
1 1/2"	BSPP	-	VL-S-B3-G-1000-24	38	118	85	180	1.86
2"	BSPP	-	VL-S-B3-G-1000-32	50	144	92	180	2.98
2 1/2"	BSPP	-	VL-S-B3-G-1000-40	65	180	115	224	6.65
3"	BSPP	-	VL-S-B3-G-1000-48	80	209	130	242	10.07
4"	BSPP	-	VL-S-B3-G-1000-64	-	-	-	-	17.79
1/4"	NPT	-	VL-S-B3-N-1000-04	10	66	45	100	0.30
3/8"	NPT	-	VL-S-B3-N-1000-06	12	66	45	100	0.30
1/2"	NPT	-	VL-S-B3-N-1000-08	15	73	53	104	0.51
3/4"	NPT	-	VL-S-B3-N-1000-12	20	79.5	58	118	0.73
1"	NPT	-	VL-S-B1-N-1000-16	25	86.5	68	145	0.91
1 1/4"	NPT	-	VL-S-B3-N-1000-20	32	108	81	162	1.56
1 1/2"	NPT	-	VL-S-B3-N-1000-24	38	118	85	180	1.86
2"	NPT	-	VL-S-B3-N-1000-32	50	144	92	180	2.98
2 1/2"	NPT	-	VL-S-B3-N-1000-40	65	180	115	224	6.65
3"	NPT	-	VL-S-B3-N-1000-48	80	209	130	242	10.07
4"	NPT	-	VL-S-B3-N-1000-64	-	-	-	-	17.79
1/4"	SW	-	VL-S-B3-SW-1000-04	10	66	45	100	0.30
3/8"	SW	-	VL-S-B3-SW-1000-06	12	66	45	100	0.30
1/2"	SW	-	VL-S-B3-SW-1000-08	15	73	53	104	0.51
3/4"	SW	-	VL-S-B3-SW-1000-12	20	79.5	58	118	0.73
1"	SW	-	VL-S-B3-SW-1000-16	25	86.5	68	145	0.91
1 1/4"	SW	-	VL-S-B3-SW-1000-20	32	108	81	162	1.55
1 1/2"	SW	-	VL-S-B3-SW-1000-24	38	118	85	180	1.85
2"	SW	-	VL-S-B3-SW-1000-32	50	144	92	180	2.98
2 1/2"	SW	-	VL-S-B3-SW-1000-40	65	180	115	224	3.54
3"	SW	-	VL-S-B3-SW-1000-48	80	209	130	242	6.38
4"	SW	-	VL-S-B3-SW-1000-64	-	-	-	-	-

Part Number Reference

Impa Code	Part No	Description
-	VL-S-B3-G-1000-04	1/4"BSPP SS316 3 PC BALL VALVE (1000 WOG)
-	VL-S-B3-G-1000-06	3/8"BSPP SS316 3 PC BALL VALVE (1000 WOG)
-	VL-S-B3-G-1000-08	1/2"BSPP SS316 3 PC BALL VALVE (1000 WOG)
-	VL-S-B3-G-1000-12	3/4"BSPP SS316 3 PC BALL VALVE (1000 WOG)
-	VL-S-B3-G-1000-16	1"BSPP SS316 3 PC BALL VALVE (1000 WOG)
-	VL-S-B3-G-1000-20	1 1/4"BSPP SS316 3 PC BALL VALVE (1000 WOG)
-	VL-S-B3-G-1000-24	1 1/2"BSPP SS316 3 PC BALL VALVE (1000 WOG)
-	VL-S-B3-G-1000-32	2"BSPP SS316 3 PC BALL VALVE (1000 WOG)
-	VL-S-B3-G-1000-40	2 1/2"BSPP SS316 3 PC BALL VALVE (1000 WOG)
-	VL-S-B3-G-1000-48	3"BSPP SS316 3 PC BALL VALVE (1000 WOG)
-	VL-S-B3-G-1000-64	4"BSPP SS316 3 PC BALL VALVE (1000 WOG)
-	VL-S-B3-N-1000-04	1/4"NPT SS316 3 PC BALL VALVE (1000 WOG)
-	VL-S-B3-N-1000-06	3/8"NPT SS316 3 PC BALL VALVE (1000 WOG)
-	VL-S-B3-N-1000-08	1/2"NPT SS316 3 PC BALL VALVE (1000 WOG)
-	VL-S-B3-N-1000-12	3/4"NPT SS316 3 PC BALL VALVE (1000 WOG)
-	VL-S-B3-N-1000-16	1"NPT SS316 3 PC BALL VALVE (1000 WOG)
-	VL-S-B3-N-1000-20	1 1/4"NPT SS316 3 PC BALL VALVE (1000 WOG)
-	VL-S-B3-N-1000-24	1 1/2"NPT SS316 3 PC BALL VALVE (1000 WOG)
-	VL-S-B3-N-1000-32	2"NPT SS316 3 PC BALL VALVE (1000 WOG)
-	VL-S-B3-N-1000-40	2 1/2"NPT SS316 3 PC BALL VALVE (1000 WOG)
-	VL-S-B3-N-1000-48	3"NPT SS316 3 PC BALL VALVE (1000 WOG)
-	VL-S-B3-N-1000-64	4"NPT SS316 3 PC BALL VALVE (1000 WOG)
-	VL-S-B3-SW-1000-04	1/4" S/W SS316 3 PC BALL VALVE (1000 WOG)
-	VL-S-B3-SW-1000-06	3/8" S/W SS316 3 PC BALL VALVE (1000 WOG)
-	VL-S-B3-SW-1000-08	1/2" S/W SS316 3 PC BALL VALVE (1000 WOG)
-	VL-S-B3-SW-1000-12	3/4" S/W SS316 3 PC BALL VALVE (1000 WOG)
-	VL-S-B3-SW-1000-16	1" S/W SS316 3 PC BALL VALVE (1000 WOG)
-	VL-S-B3-SW-1000-20	1 1/4" S/W SS316 3 PC BALL VALVE (1000 WOG)
-	VL-S-B3-SW-1000-24	1 1/2" S/W SS316 3 PC BALL VALVE (1000 WOG)
-	VL-S-B3-SW-1000-32	2" S/W SS316 3 PC BALL VALVE (1000 WOG)
-	VL-S-B3-SW-1000-40	2 1/2" S/W SS316 3 PC BALL VALVE (1000 WOG)
-	VL-S-B3-SW-1000-48	3" S/W SS316 3 PC BALL VALVE (1000 WOG)
-	VL-S-B3-SW-1000-64	4" S/W SS316 3 PC BALL VALVE (1000 WOG)

RFS Hydraulics Sdn Bhd

Address: Menara UOA Bangsar, A-25-02, No. 5, Jln Bangsar Utama 1, 59000 Kuala Lumpur, Malaysia

Telephone Number: +603 2201 9059

Email Address: info@rfshydraulics.com

Website: www.rfshydraulics.com

Business Registration Number: 1312576-W

Country of Registration: Malaysia

Conditions of Use of Catalogue:

The information in the catalogue are not binding and in order to improve distribution, RFS Hydraulics Sdn Bhd reserves the right to make any change including size and pressure ratings considered necessary at any time and without prior notice.

According to the copyright and the civil law, any reproduction (also partial) of figures and texts of this catalogue by means of electronic, mechanical, photocopies, microfilms, recordings or other is forbidden without RFS Hydraulics Sdn Bhd's authorization.

Catalogue Version: 2005