



**LOW PRESSURE 1000 PSI STAINLESS STEEL 3 WAY BALL VALVE T-PORT**

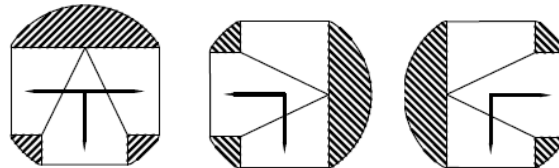
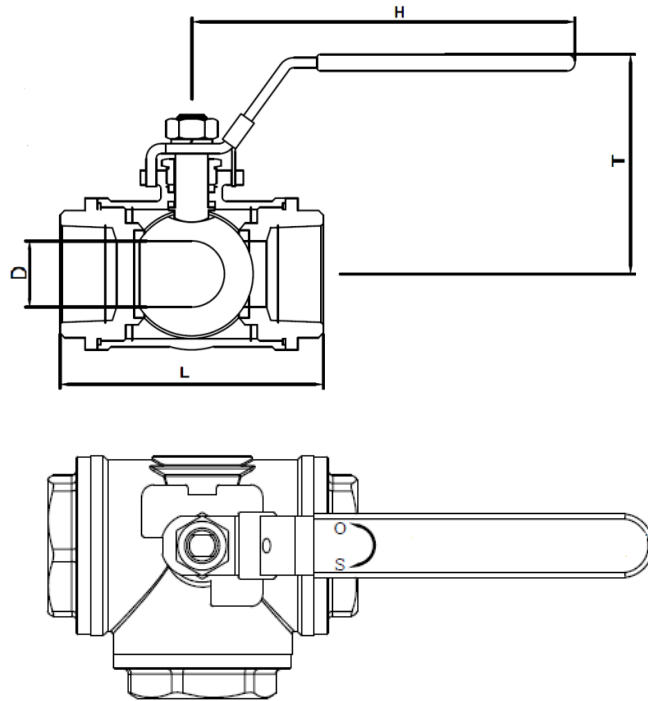
**Feature:**

- Female 3 Way Ball valve, T-Port Design
- Size: 1/4" - 2" (DN8 - 50)
- Working Pressure: 1000 PSI
- Threaded End: BSPP, NPT
- Applicable Medium: General oil, Gas & Water applications
- Blow-out Proof Stem Design
- Temperature Range: -29°C to 150°C



**Material List:**

No.	Part Name	Material
1	Bonnet	SS316, CF8M
2	Seat	PTFE
3	Gasket	PTFE
4	Body	SS316, CF8M
5	Ball	SS316
6	Thrust Gasket	PTFE
7	Stem	SS316
8	Gland	SS304
9	Handle	SS201
10	Washer	SS304
11	Nut	SS304





**Ordering Information**

VL - S - B2 - G - 1000 - 08  
I II III IV V VI

**I Type of Item**

VL Low Pressure Valves

**II Material Grade**

S SS316, CF8M CI Cast Iron  
FS Forged Steel CS Cast Steel  
B Brass

**III Item**

GA Gate Valve B1 1 PC Ball Valve  
GL Globe Valve B2 2 PC Ball Valve  
YS Y-Strainer B3 3 PC Ball Valve  
SC Swing Check Valve BL 3 Way Ball Valve L Port  
VC Vertical Check Valve BT 3 Way Ball Valve T Port  
WC Wafer Check Valve BMF Male x Female Mini Ball Valve  
DD Dual Disk BU Butterfly Valve

**IV Connection Type**

SW S/W G BSPP  
BW B/W N NPT  
R BSPT F Flanged End  
W Wafer L Lug

**V Pressure**

200 200 PSI 1000 1000 PSI  
300 300 PSI 150 ANSI 150# Flange Standard  
600 600 PSI 10K JIS 10K Flange Standard  
800 800 PSI PN16 PN16 Flange Standard

For Inch OD & Inch NB Sizes

**VI Size**

Size	1/8"	1/4"	5/16"	3/8"	1/2"	5/8"	3/4"	1"
Code	02	04	05	06	08	10	12	16
Size	1 1/4"	1 1/2"	2"	2 1/2"	3"	4"	5"	6"
Code	20	24	32	40	48	64	80	96

**VII Coating**

(none) No additional Coating  
NI Nickel Plating



**Dimension List:**

<b>NPS</b>	<b>Connection</b>	<b>Impa Code</b>	<b>Part No</b>	<b>D</b>	<b>L</b>	<b>H</b>	<b>T</b>	<b>Weight (kg)</b>
1/4"	BSPP	-	VL-S-BT-G-1000-04	6	65.5	100	51	0.58
3/8"	BSPP	-	VL-S-BT-G-1000-06	6	65.5	100	51	0.55
1/2"	BSPP	-	VL-S-BT-G-1000-08	10	75.5	100	57	0.52
3/4"	BSPP	-	VL-S-BT-G-1000-12	15	82.5	108	62	0.71
1"	BSPP	-	VL-S-BT-G-1000-16	20	88	140	72	0.98
1 1/4"	BSPP	-	VL-S-BT-G-1000-20	25	105	152	88	2.18
1 1/2"	BSPP	-	VL-S-BT-G-1000-24	32	135	166	100	3.17
2"	BSPP	-	VL-S-BT-G-1000-32	39	149	170	102	4.38
1/4"	NPT	-	VL-S-BT-N-1000-04	6	65.5	100	51	0.58
3/8"	NPT	-	VL-S-BT-N-1000-06	6	65.5	100	51	0.55
1/2"	NPT	-	VL-S-BT-N-1000-08	10	75.5	100	57	0.52
3/4"	NPT	-	VL-S-BT-N-1000-12	15	82.5	108	62	0.71
1"	NPT	-	VL-S-BT-N-1000-16	20	88	140	72	0.98
1 1/4"	NPT	-	VL-S-BT-N-1000-20	25	105	152	88	2.18
1 1/2"	NPT	-	VL-S-BT-N-1000-24	32	135	166	100	3.17
2"	NPT	-	VL-S-BT-N-1000-32	39	149	170	102	4.38



**Part Number Reference:**

Impa Code	Part No	Description
-	VL-S-BT-G-1000-04	1/4"BSPP SS316 3 WAY BALL VALVE,T PORT (1000 PSI)
-	VL-S-BT-G-1000-06	3/8"BSPP SS316 3 WAY BALL VALVE,T PORT (1000 PSI)
-	VL-S-BT-G-1000-08	1/2"BSPP SS316 3 WAY BALL VALVE,T PORT (1000 PSI)
-	VL-S-BT-G-1000-12	3/4"BSPP SS316 3 WAY BALL VALVE,T PORT (1000 PSI)
-	VL-S-BT-G-1000-16	1"BSPP SS316 3 WAY BALL VALVE,T PORT (1000 PSI)
-	VL-S-BT-G-1000-20	1 1/4"BSPP SS316 3 WAY BALL VALVE,T PORT (1000 PSI)
-	VL-S-BT-G-1000-24	1 1/2"BSPP SS316 3 WAY BALL VALVE,T PORT (1000 PSI)
-	VL-S-BT-G-1000-32	2"BSPP SS316 3 WAY BALL VALVE,T PORT (1000 PSI)
-	VL-S-BT-N-1000-04	1/4"NPT SS316 3 WAY BALL VALVE,T PORT (1000 PSI)
-	VL-S-BT-N-1000-06	3/8"NPT SS316 3 WAY BALL VALVE,T PORT (1000 PSI)
-	VL-S-BT-N-1000-08	1/2"NPT SS316 3 WAY BALL VALVE,T PORT (1000 PSI)
-	VL-S-BT-N-1000-12	3/4"NPT SS316 3 WAY BALL VALVE,T PORT (1000 PSI)
-	VL-S-BT-N-1000-16	1"NPT SS316 3 WAY BALL VALVE,T PORT (1000 PSI)
-	VL-S-BT-N-1000-20	1 1/4"NPT SS316 3 WAY BALL VALVE,T PORT (1000 PSI)
-	VL-S-BT-N-1000-24	1 1/2"NPT SS316 3 WAY BALL VALVE,T PORT (1000 PSI)
-	VL-S-BT-N-1000-32	2"NPT SS316 3 WAY BALL VALVE,T PORT (1000 PSI)

**RFS Hydraulics Sdn Bhd**

**Address:** Menara UOA Bangsar, A-25-02, No. 5, Jln Bangsar Utama 1, 59000 Kuala Lumpur, Malaysia

**Telephone Number:** +603 2201 9059

**Email Address:** [info@rfshydraulics.com](mailto:info@rfshydraulics.com)

**Website:** [www.rfshydraulics.com](http://www.rfshydraulics.com)

**Business Registration Number:** 1312576-W

**Country of Registration:** Malaysia

**Conditions of Use of Catalogue:**

The information in the catalogue are not binding and in order to improve distribution, Chuan Kok Hardware & Machinery Pte Ltd reserves the right to make any change including size and pressure ratings considered necessary at any time and without prior notice.

According to the copyright and the civil law, any reproduction (also partial) of figures and texts of this catalogue by means of electronic, mechanical, photocopies, microfilms, recordings or other is forbidden without Chuan Kok Hardware & Machinery Pte Ltd's authorization.

Catalogue Version: 2005