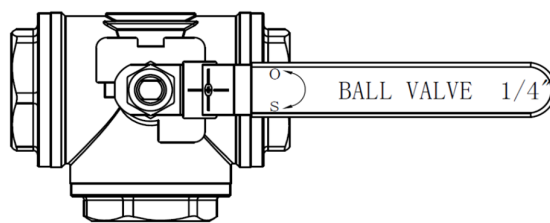
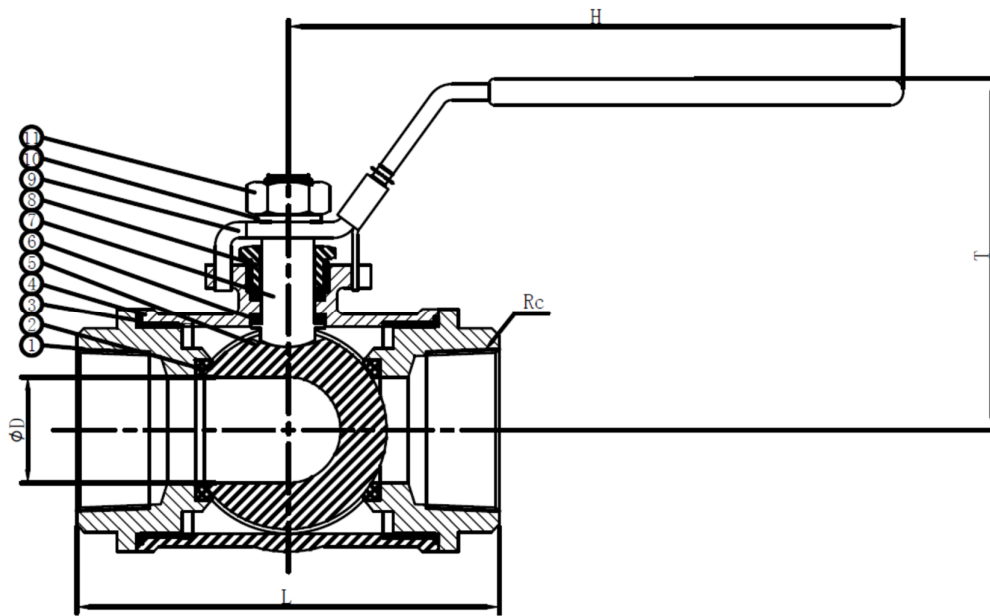




L-Port Ball Valves

Features

- Female 3 Way Ball Valve, L-Port Design
- Sizes: 1/4" – 2" (DN8 – DN50)
- Working Pressure: 1000 WOG
- Threaded End: BSPP, NPT
- Applicable Medium: General Oil, Gas & Water Applications
- Blow-out Proof Stem Design
- Temperature: -20 Deg C to 120 Deg C



Material List

No.	Part Name	Material	No.	Part Name	Material
1	Bonnet	CF8M	7	Stem	316
2	Seat	PTFE	8	Gland	304
3	Gasket	PTFE	9	Lever	SS201
4	Body	CF8M	10	Washer	SS304
5	Ball	316	11	Nut	SS304
6	Thrust Gasket	PTFE			



Ordering Information

VL - S - BL - G - 1000 - 08
I II III IV V VI

I Type of Item
VL Low Pressure Valves

II Material Grade
S SS316, CF8M
FS Forged Steel
B Brass
CI Cast Iron
CS Cast Steel

III Item
GA Gate Valve B1 1 PC Ball Valve
GL Globe Valve B2 2 PC Ball Valve
YS Y-Strainer B3 3 PC Ball Valve
SC Swing Check Valve BL 3 Way Valve L Port
VC Vertical Check Valve BT 3 Way Ball Valve T Port
WC Wafer Check Valve BMF Male x Female Mini Ball Valve
DD Dual Disk BU Butterfly Valve

IV Connection Type
SW S/W G BSPP
BW B/W N NPT
R BSPT F Flange End
W Wafer L Lug

V Pressure
200 200 PSI 1000 1000 PSI
300 300 PSI 150 ANSI 150# Flange Standard
600 600 PSI 10K JIS 10K Flange Standard
800 800 PSI PN16 PN 16 Flange Standard

For Inch OD & Inch NB Sizes

VI Size	1/8"	1/4"	5/16"	3/8"	1/2"	5/8"	3/4"	1"
Code	02	04	05	06	08	10	12	16
Size	1 1/4"	1 1/2"	2"	2 1/2"	3"	4"	5"	6"
Code	20	24	32	40	48	64	80	96

VII Coating
(none) No Additional Coating
NI Nickel Plating



Dimension List

NPS	Connection	Impa Code	Part No	d	L	H	T	Weight (kg)
1/4"	BSPP	-	VL-S-BL-G-1000-04	6	65.5	100	51	0.58
3/8"	BSPP	-	VL-S-BL-G-1000-06	6	65.5	100	51	0.55
1/2"	BSPP	-	VL-S-BL-G-1000-08	10	75.5	100	57	0.52
3/4"	BSPP	-	VL-S-BL-G-1000-12	15	82.5	108	62	0.71
1"	BSPP	-	VL-S-BL-G-1000-16	20	88	140	72	0.98
1 1/4"	BSPP	-	VL-S-BL-G-1000-20	25	105	152	88	2.18
1 1/2"	BSPP	-	VL-S-BL-G-1000-24	32	135	166	100	3.17
2"	BSPP	-	VL-S-BL-G-1000-32	39	149	170	102	4.38
1/4"	NPT	-	VL-S-BL-N-1000-04	6	65.5	100	51	0.58
3/8"	NPT	-	VL-S-BL-N-1000-06	6	65.5	100	51	0.55
1/2"	NPT	-	VL-S-BL-N-1000-08	10	75.5	100	57	0.52
3/4"	NPT	-	VL-S-BL-N-1000-12	15	82.5	108	62	0.71
1"	NPT	-	VL-S-BL-N-1000-16	20	88	140	72	0.98
1 1/4"	NPT	-	VL-S-BL-N-1000-20	25	105	152	88	2.18
1 1/2"	NPT	-	VL-S-BL-N-1000-24	32	135	166	100	3.17
2"	NPT	-	VL-S-BL-N-1000-32	39	149	170	102	4.38

Part Number Reference

Impa Code	Part No	Description
-	VL-S-BL-G-1000-04	1/4"BSPP SS316 3 WAY BALL VALVE,L PORT (1000 PSI)
-	VL-S-BL-G-1000-06	3/8"BSPP SS316 3 WAY BALL VALVE,L PORT (1000 PSI)
-	VL-S-BL-G-1000-08	1/2"BSPP SS316 3 WAY BALL VALVE,L PORT (1000 PSI)
-	VL-S-BL-G-1000-12	3/4"BSPP SS316 3 WAY BALL VALVE,L PORT (1000 PSI)
-	VL-S-BL-G-1000-16	1"BSPP SS316 3 WAY BALL VALVE,L PORT (1000 PSI)
-	VL-S-BL-G-1000-20	1 1/4"BSPP SS316 3 WAY BALL VALVE,L PORT (1000 PSI)
-	VL-S-BL-G-1000-24	1 1/2"BSPP SS316 3 WAY BALL VALVE,L PORT (1000 PSI)
-	VL-S-BL-G-1000-32	2"BSPP SS316 3 WAY BALL VALVE,L PORT (1000 PSI)
-	VL-S-BL-N-1000-04	1/4"NPT SS316 3 WAY BALL VALVE,L PORT (1000 PSI)
-	VL-S-BL-N-1000-06	3/8"NPT SS316 3 WAY BALL VALVE,L PORT (1000 PSI)
-	VL-S-BL-N-1000-08	1/2"NPT SS316 3 WAY BALL VALVE,L PORT (1000 PSI)
-	VL-S-BL-N-1000-12	3/4"NPT SS316 3 WAY BALL VALVE,L PORT (1000 PSI)
-	VL-S-BL-N-1000-16	1"NPT SS316 3 WAY BALL VALVE,L PORT (1000 PSI)
-	VL-S-BL-N-1000-20	1 1/4"NPT SS316 3 WAY BALL VALVE,L PORT (1000 PSI)
-	VL-S-BL-N-1000-24	1 1/2"NPT SS316 3 WAY BALL VALVE,L PORT (1000 PSI)
-	VL-S-BL-N-1000-32	2"NPT SS316 3 WAY BALL VALVE,L PORT (1000 PSI)



RFS Hydraulics Sdn Bhd

Address: Menara UOA Bangsar, A-25-02, No. 5, Jln Bangsar Utama 1, 59000 Kuala Lumpur, Malaysia

Telephone Number: +603 2201 9059

Email Address: info@rfshydraulics.com

Website: www.rfshydraulics.com

Business Registration Number: 1312576-W

Country of Registration: Malaysia

Conditions of Use of Catalogue:

The information in the catalogue are not binding and in order to improve distribution, RFS Hydraulics Sdn Bhd reserves the right to make any change including size and pressure ratings considered necessary at any time and without prior notice.

According to the copyright and the civil law, any reproduction (also partial) of figures and texts of this catalogue by means of electronic, mechanical, photocopies, microfilms, recordings or other is forbidden without RFS Hydraulics Sdn Bhd's authorization.

Catalogue Version: 2005