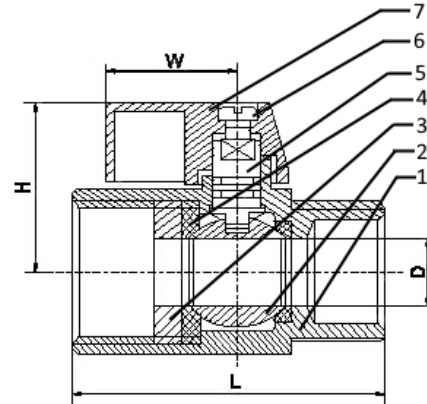


THREADED END SS316 M x F MINI BALL VALVE 1000 PSI
Feature:

- Reduced port design
- Solid ball design
- Quarter turn operation
- Size: 1/8" – 1" (DN6-25)
- Working Pressure: 1000 PSI
- Threaded End: BSPP, NPT
- Applicable Medium: General oil, Gas & Water applications
- Blow-out Proof Stem Design


Material List:

Part Name	Material
Body	SS316, CF8M
Ball	SS316
Cap	SS316
Ball Seat	PTFE
Stem	SS304
Bolt	SS304
Lever	Aluminium


Dimension List:

Size	D	H	W	L	Weight (KG)
1/8"	7	26.5	22.9	40	0.081
1/4"	7	26.5	22.9	40	0.081
3/8"	7	26.5	22.9	40	0.084
1/2"	9.2	29.3	22.9	46	0.105
3/4"	12.5	31.5	22.9	54	0.105
1"	15	34	22.9	65	0.284



Ordering Information

VL - S - B2 - G - 1000 - 08
I II III IV V VI

I Type of Item

VL Low Pressure Valves

II Material Grade

S SS316, CF8M CI Cast Iron
FS Forged Steel CS Cast Steel
B Brass

III Item

GA Gate Valve B1 1 PC Ball Valve
GL Globe Valve B2 2 PC Ball Valve
YS Y-Strainer B3 3 PC Ball Valve
SC Swing Check Valve BL 3 Way Ball Valve L Port
VC Vertical Check Valve BT 3 Way Ball Valve T Port
WC Wafer Check Valve BMF Male x Female Mini Ball Valve
DD Dual Disk BU Butterfly Valve

IV Connection Type

SW S/W G BSPP
BW B/W N NPT
R BSPT F Flanged End
W Wafer L Lug

V Pressure

200 200 PSI 1000 1000 PSI
300 300 PSI 150 ANSI 150# Flange Standard
600 600 PSI 10K JIS 10K Flange Standard
800 800 PSI PN16 PN16 Flange Standard

For Inch OD & Inch NB Sizes

VI Size

Size	1/8"	1/4"	5/16"	3/8"	1/2"	5/8"	3/4"	1"
Code	02	04	05	06	08	10	12	16
Size	1 1/4"	1 1/2"	2"	2 1/2"	3"	4"	5"	6"
Code	20	24	32	40	48	64	80	96

VII Coating

(none) No additional Coating
NI Nickel Plating

Part Number Reference:

Part No	Description
VL-S-BMF-G-1000-02	1/8"BSPP SS316 M x F MINI BALL VALVE1000 PSI, MALE x FEMALE, SOLID BALL
VL-S-BMF-G-1000-04	1/4"BSPP SS316 M x F MINI BALL VALVE1000 PSI, MALE x FEMALE, SOLID BALL
VL-S-BMF-G-1000-06	3/8"BSPP SS316 M x F MINI BALL VALVE1000 PSI, MALE x FEMALE, SOLID BALL
VL-S-BMF-G-1000-08	1/2"BSPP SS316 M x F MINI BALL VALVE1000 PSI, MALE x FEMALE, SOLID BALL
VL-S-BMF-G-1000-12	3/4"BSPP SS316 M x F MINI BALL VALVE1000 PSI, MALE x FEMALE, SOLID BALL
VL-S-BMF-G-1000-16	1"BSPP SS316 M x F MINI BALL VALVE1000 PSI, MALE x FEMALE, SOLID BALL
VL-S-BMF-N-1000-02	1/8"NPT SS316 M x F MINI BALL VALVE1000 PSI, MALE x FEMALE, SOLID BALL
VL-S-BMF-N-1000-04	1/4"NPT SS316 M x F MINI BALL VALVE1000 PSI, MALE x FEMALE, SOLID BALL
VL-S-BMF-N-1000-06	3/8"NPT SS316 M x F MINI BALL VALVE1000 PSI, MALE x FEMALE, SOLID BALL
VL-S-BMF-N-1000-08	1/2"NPT SS316 M x F MINI BALL VALVE1000 PSI, MALE x FEMALE, SOLID BALL
VL-S-BMF-N-1000-12	3/4"NPT SS316 M x F MINI BALL VALVE1000 PSI, MALE x FEMALE, SOLID BALL
VL-S-BMF-N-1000-16	1"NPT SS316 M x F MINI BALL VALVE1000 PSI, MALE x FEMALE, SOLID BALL

RFS Hydraulics Sdn Bhd

Address: Menara UOA Bangsar, A-25-02, No. 5, Jln Bangsar Utama 1, 59000 Kuala Lumpur, Malaysia

Telephone Number: +603 2201 9059

Email Address: info@rfshydraulics.com

Website: www.rfshydraulics.com

Business Registration Number: 1312576-W

Country of Registration: Malaysia

Conditions of Use of Catalogue:

The information in the catalogue are not binding and in order to improve distribution, Chuan Kok Hardware & Machinery Pte Ltd reserves the right to make any change including size and pressure ratings considered necessary at any time and without prior notice.

According to the copyright and the civil law, any reproduction (also partial) of figures and texts of this catalogue by means of electronic, mechanical, photocopies, microfilms, recordings or other is forbidden without Chuan Kok Hardware & Machinery Pte Ltd's authorization.

Catalogue Version: 2005